

# ARROW™ GHLV

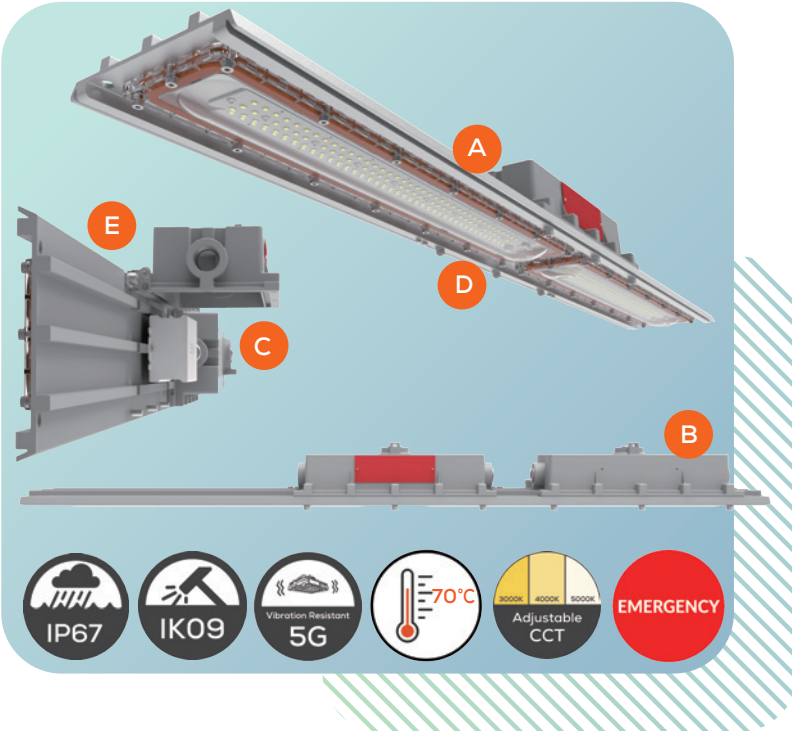
GHV LED linear lighting are UL844 certified for hazardous areas. Clamshell design easy access to drivers, multiple entries standard for easy through wiring. Optional LiFePO4 battery providing 90-minute runtime for emergency applications.

CLASS I DIV. 2
CLASS II DIV. 2

CLASS II DIV. 1
CLASS III

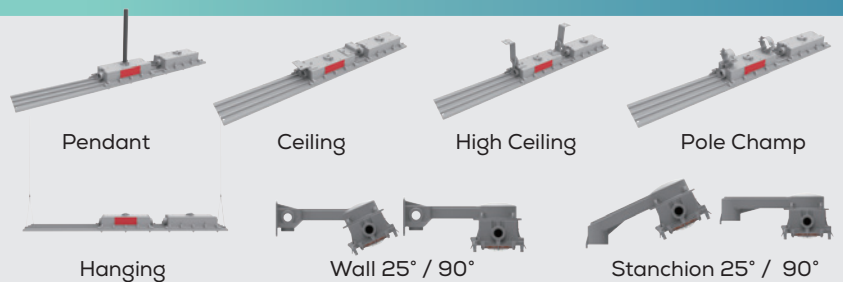


## KEY FEATURES



- A LOW PROFILE AND LIGHTER.** 100mm fixture height, perfect for mounting in confined or low height areas.
- B EMERGENCY BATTERY BACK-UP.** 90-minutes minimum running time at 15W in emergency mode.
- C SIMPLE INSTALLATION.** Clamshell design easy access to drivers and multiple entries standard for easy through wiring.
- D HIGH OUTPUT.** High out put from 5,100 to 13,600 lumens with up to 170Lm/W.
- E BUILD TO LAST.** Copper-free aluminum housing and impact resistant lens sealed from the outside environment provides ingressprotection against water and dust.

## 9 MOUNTING OPTIONS



# HAZARDOUS LOCATION LINEAR LIGHTING

## CLASSIFICATIONS

### NEC/CEC Standard

- UL 844 Hazardous Locations
  - Class I Division 2, Group A, B, C, D
  - Class II Division 1, Group E, F, G
  - Class II Division 2, Group F, G
  - Class III
  - Class I, Zone 2, Group IIC
  - Zone 21, Zone 22

- UL 924
- UL 8750 LED Safety
- CSA C22.2 NO.137
- CSA C22.2 NO.141-15
- UL924 Listed Pending\*

## TECHNICAL DATA

### ELECTRIC & OPTICAL

Rated Power	30W / 40W / 45W / 60W / 80W
Input Voltage	AC100-277V, AC347-480V
Input Frequency	50/60Hz
Power Factor	> 0.95
Driver Efficiency	≥ 90%

### EMERGENCY BACK-UP

Emergency Power	8W
Lumen Output	≥1,360lm
Recharging time	24 hours
Rated autonomy	≥90 mins

### OPTICAL

Lumen Output	5100lm ~ 13.600lm
Luminous Efficacy	170Lm/W
Beam Angle	110°
CCT	Amber 2700K 3000K 4000K 5000K
CRI	Ra>70

### ENVIRONMENTAL & TECHNICAL

TA	-40°C ~ +70°C, -0°C ~ +50°C (EMB)
Ambient Humidity	10%~90% RH
Atmospheric pressure	86~106KPa
Lens Material	Polycarbonate
Mounting Options	Pendant / Ceiling / Wall mount / Stanchion /Hanging / U-Bracket
Cable Entries	3/4" NPT, 1-1/4" NPT, 1-1/2" NPT
Net Weight	3.2kg (2 Ft) / 5 kg (4 Ft) / 9 kg (EMB)

## OPTIONS AND ACCESSORIES

- Clear / diffuse polycarbonate lens options
- CCT Adjustable (3000K/ 4000K /5000K)
- Safety cable
- 10kV surge protector is standard, 20kV is optional
- 1-10V dimming capabilities
- L70:150,000 hours@ 60°C
- 5-year limited system warranty