

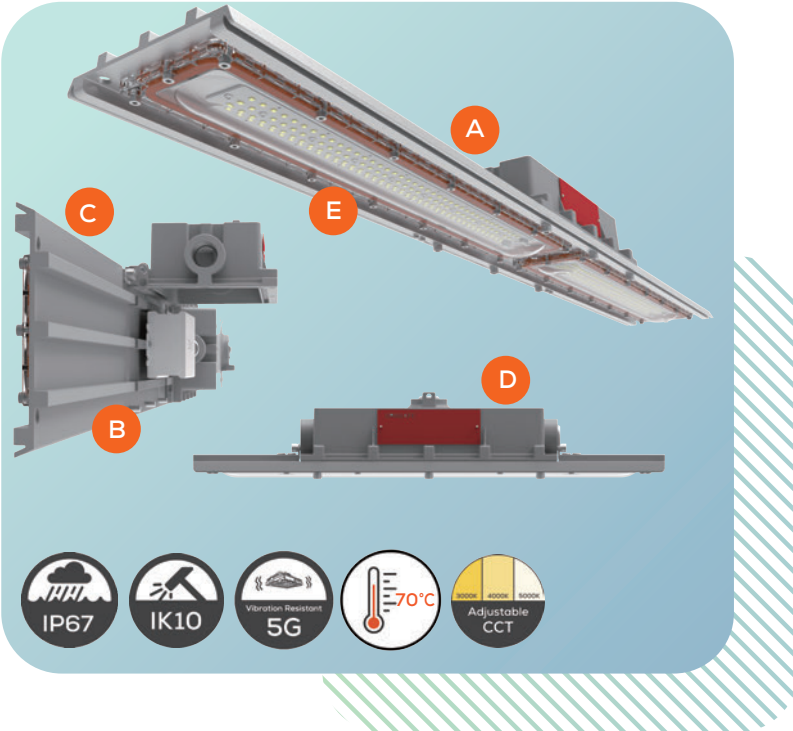
ARROW™ GHV

Designed to be installed in areas where flammable gases, vapors, or dusts are present in sufficient quantities to create a risk of explosion or fire.

CLASS I DIV. 2	CLASS II DIV. 1
CLASS II DIV. 2	CLASS III

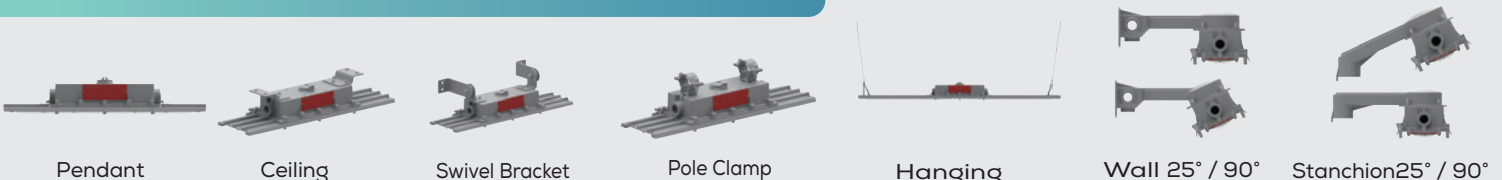


KEY FEATURES



- A LOW PROFILE AND LIGHTER.** 100mm fixture height, perfect for mounting in confined or low height areas.
- B RUGGED HEAT SINK.** Superior thermal heat sink design provides outstanding performance from -40°C to $+70^{\circ}\text{C}$ (-40°F to $+158^{\circ}\text{F}$) wide enough for any environment
- C SIMPLE INSTALLATION.** Clamshell design easy access to drivers and multiple entries standard for easy through wiring.
- D HIGH OUTPUT.** 2 models from 5,100 to 13,600 lumens with up to 170Lm/W.
- E MULTIPLE BEAM ANGLES.** 30°, 60°, 90°, 110°, T2, T3, T4, different lens provide more choices for various scenarios.

9 MOUNTING OPTIONS



HAZARDOUS LOCATION LINEAR LIGHTING

CLASSIFICATIONS

NEC/CEC Standard

- UL 844 Hazardous Locations
 - Class I Division 2, Group A, B, C, D
 - Class II Division 1, Group E, F, G
 - Class II Division 2, Group F, G
 - Class III
 - Class I, Zone 2, Group IIC
 - Zone 21, Zone 22
- UL 1598 Wet Locations
- UL 1598A Marine Outside Type (Salt Water)
- UL 8750 LED Safety
- CSA C22.2 No.137
- CSA C22.2 NO. 250.0

TECHNICAL DATA

ELECTRIC & OPTICAL

Rated Power	30W / 40W / 45W / 60W / 80W
Input Voltage	AC100-277, 347-480V
Lumen Output	5,100lm ~ 13,600lm
Luminous Efficacy	170Lm/W
Beam Angle	30° / 60° / 90° / 110° / T2 / T3 / T4
Color Temperature	Amber/2700K/3000K/4000K/5000K
CRI	$R_a > 70$

ENVIRONMENTAL & TECHNICAL

Ambient Temperature	-40°C ~ $+70^{\circ}\text{C}$
Lens Material	Polycarbonate
Mounting Options	Pendant / Ceiling / Wall mount / Stanchion / U-Bracket
Cable Entries	3/4" NPT, 1-1/4" NPT, 1-1/2" NPT
Net Weight	3.4kg (2 Ft) / 6.3kg (4 Ft)

OPTIONS AND WARRANTY

- Clear / diffuse polycarbonate lens
- CCT Adjustable (3000K / 4000K / 5000K)
- Safety cable
- 10kV surge protector is standard, 20kV is optional
- 1-10V dimming capabilities
- L70 > 150,000 operation hours@ 25°C
- 5-year limited system warranty