

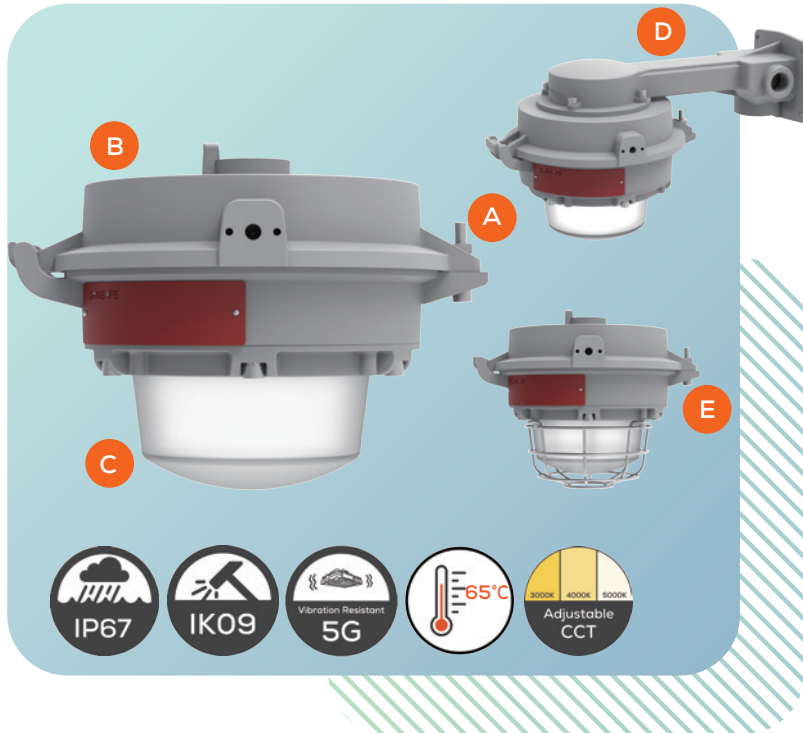
# JET™ GHRS

Jet series UL844 hazardous location certified LED luminaires are designed to be installed in areas where flammable gases, vapors, or dusts are present in sufficient quantities to create a risk of explosion or fire.

CLASS I DIV. 2	CLASS II DIV. 1
CLASS II DIV. 2	CLASS III



## KEY FEATURES



- A EASY INSTALLATION.** Single barrel nut and hinge design, one-hand operation for quick and easy installation
- B LIGHT WEIGHT & COMPACT.** 2.6kg only, design for low mounting heights and confined spaces.
- C HIGH EFFICIENCY.** Delivers up to 150 lm/W, reducing energy costs by up to 75% over conventional lamps.
- D RETROFIT FRIENDLY.** Universal mounting accessories minimizes the SKUs and maximizes the flexibility.
- E BUILD TO LAST.** Copper-free aluminum housing and impact resistant lens sealed from the outside environment provides ingress protection against water and dust.

## 7 MOUNTING OPTIONS



# HAZARDOUS LOCATION JELLY-JAR

## CLASSIFICATIONS

### NEC/CEC Standard

- UL 844 Hazardous Locations
  - Class I Division 2, Group A, B, C, D
  - Class II Division 1, Group E, F, G
  - Class II Division 2, Group F, G
  - Class III
  - Class I, Zone 2, Group IIC
  - Zone 21, Zone 22

- UL 1598 Wet Locations
  - UL 1598A Marine Outside Type (Salt Water)
- UL 8750 LED Safety
  - CSA C22.2 No.137-M1981
  - CSA C22.2 NO. 250.0

## TECHNICAL DATA

### ELECTRIC & OPTICAL

Rated Power	10W / 20W / 30W
Input Voltage	AC100-277V
Lumen Output	1500lm / 3000lm / 4500lm
Luminous Efficacy	150lm/W
Beam Angle	110°
Color Temperature	Amber 2700K 3000K 4000K 5000K
CRI	Ra>70

### ENVIRONMENTAL & TECHNICAL

Ambient Temperature	-40°C~+65°C
Lens Material	Frosted drop lens
Mounting Options	Pendant / Ceiling / Wall mount / Stanchion / U-Bracket
Cable Entries	3/4" NPT, 1" NPT, 1-1/4" NPT, 1-1/2" NPT
Net Weight	2.6kg

## OPTIONS AND WARRANTY

- CCT Adjustable (3000K/4000K/5000K)
- Wire guard
- Safety cable
- 10kV surge protector is standard, 20kV is optional
- 1-10V dimming capabilities
- L70 > 150,000 operation hours@ 25°C
- 5-year limited system warranty